

LY-18 MEASURING RULER FOR EYES
OPERATION INSTRUCTION

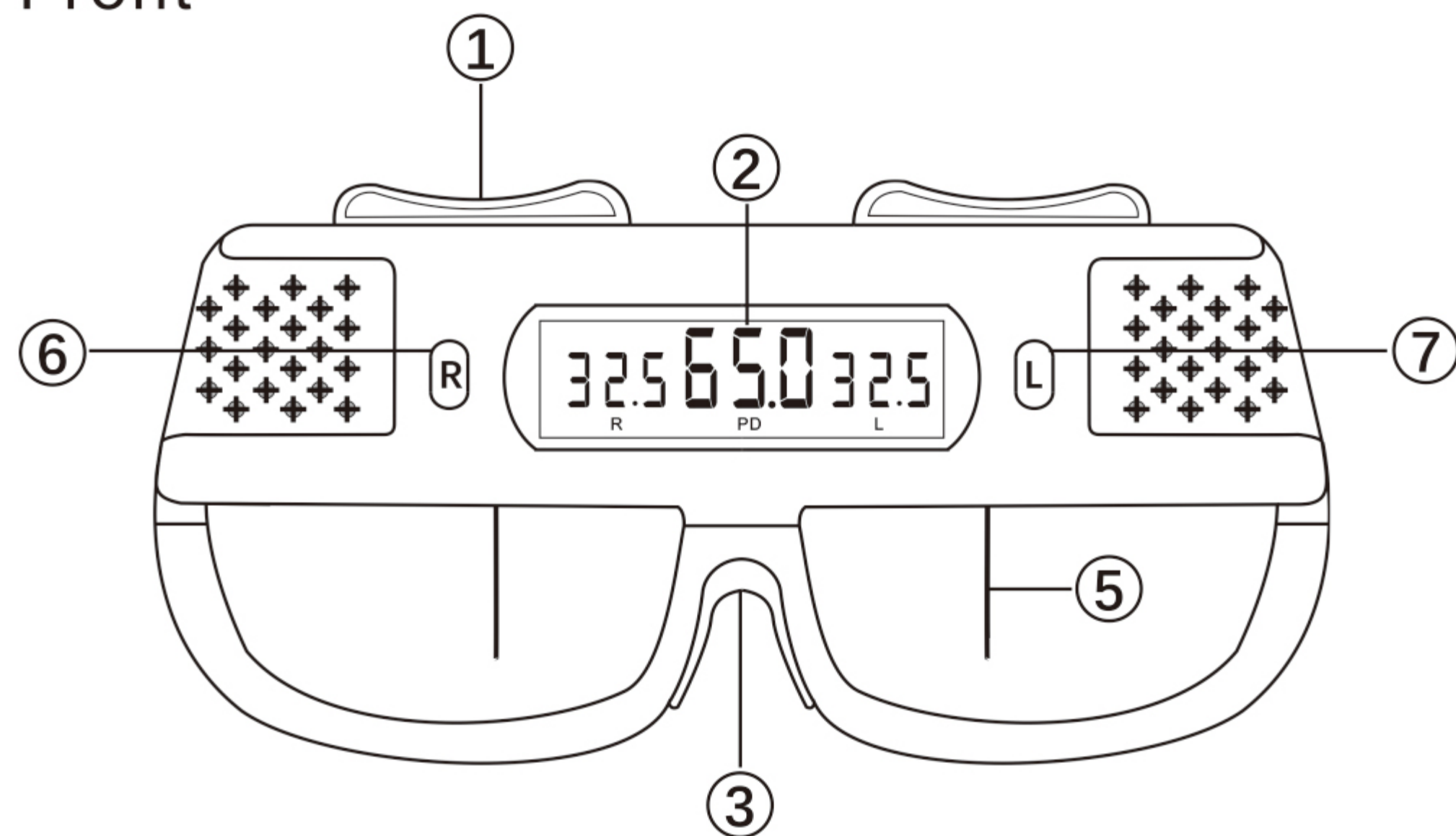
LY-18 MEASURING RULER FOR EYES OPERATION INSTRUCTION

Preface:

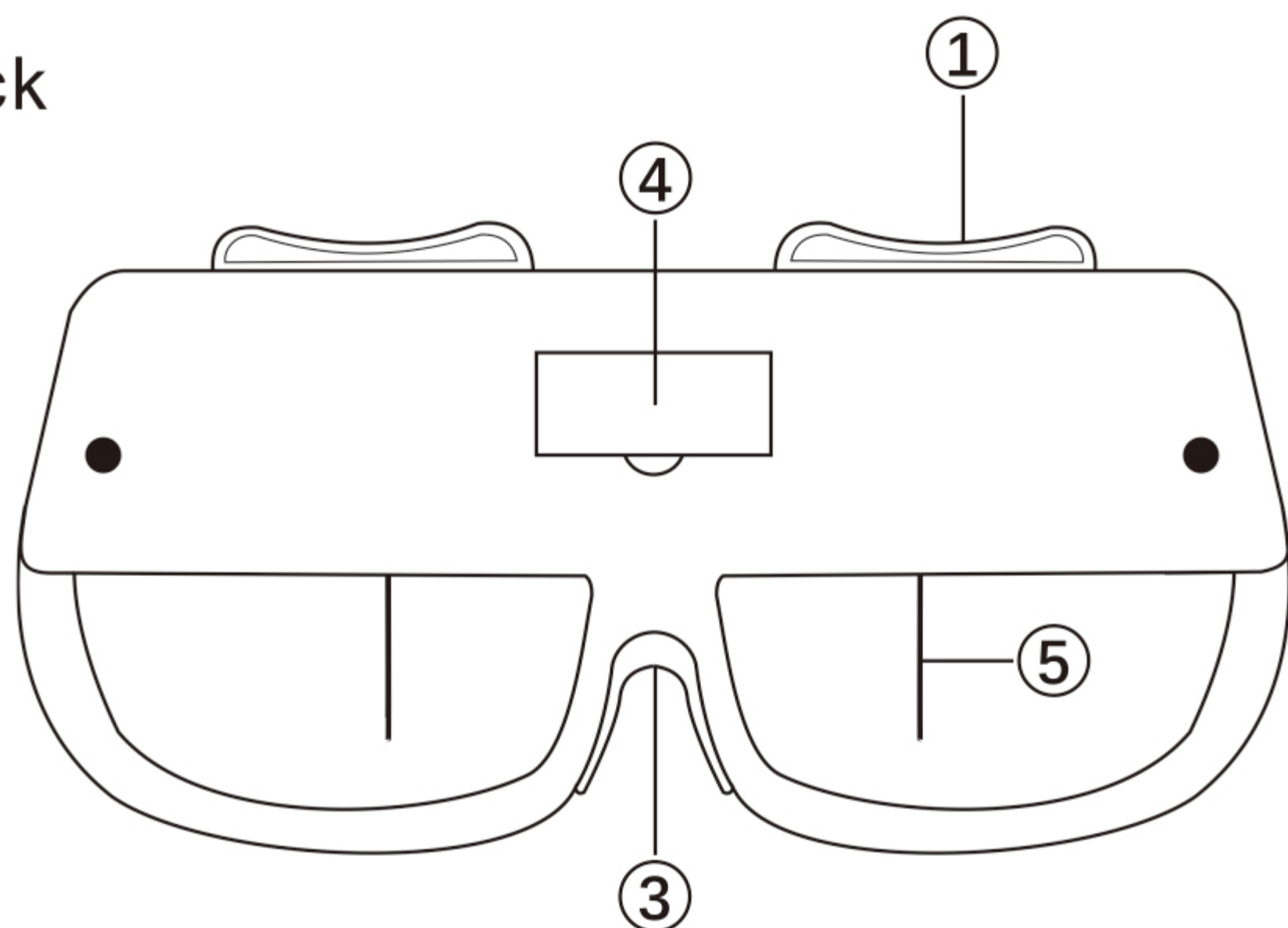
Thank you for using the LY-18 measuring ruler for eyes, we hope that it can bring relax and convenience for your working.

[Diagrammatic presentation]

Front



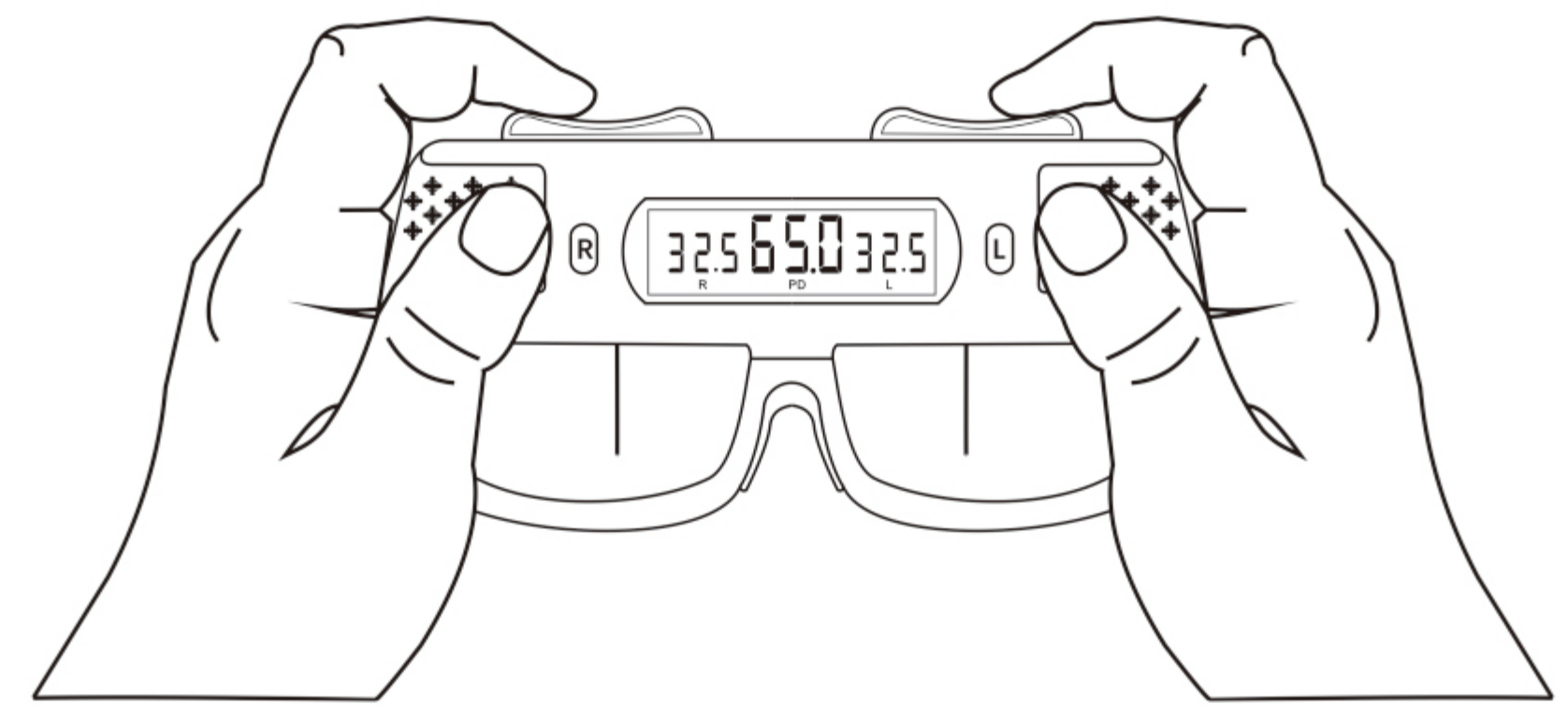
Back



[Component name]

- | | |
|----------------------|---------------------|
| (1) adjusting button | (2) display window |
| (3) nasal pad | (4) battery chamber |
| (5) needle | (6) right button |
| (7) left button | |

[Correct method of using the measuring ruler]



[How to measure]

1. The measured person should sit down facing the surveyor and watching the behind of surveyor 5 meters or more 5 meters away from the fixture.
2. Then hold the measuring ruler correctly and place it on the measured person's nose carefully.
3. The centre of right eye should be aligned to the needle, then adjust the centre of left eye to align the needle. The numbers in the display window is the measured value.
4. Press on the left black button it shows the distance between the left eye centre and bridge of nose. Press on the right black button, it shows the distance between the right eye centre and bridge of nose.
5. Repeat step 2 and 3, measure 3 times to get average value.

[Product feature]

1. The function of measuring ruler is close to the measured value that we need when we wear the glasses.
2. The measuring ruler will be turned off automatically when it is set level. Turn on automatically when use it. Protect the battery using life.

[Specification]

Power requirement: 23A 12V battery
 Package size: 22×12×6 cm
 Net weight: 0.15kg